



SMD INDUCTORS B8020 SERIES

FEATURES:

- Flame retardant encapsulant (UL 94 V-0)
- Completely encapsulated winding provides superior environmental protection and moisture resistance
- High current unit in surface mount package printed with model, inductance value and date code
- Compatible with infrared or conventional reflow soldering methods
- Pick and place compatible

COMMON APPLICATIONS:

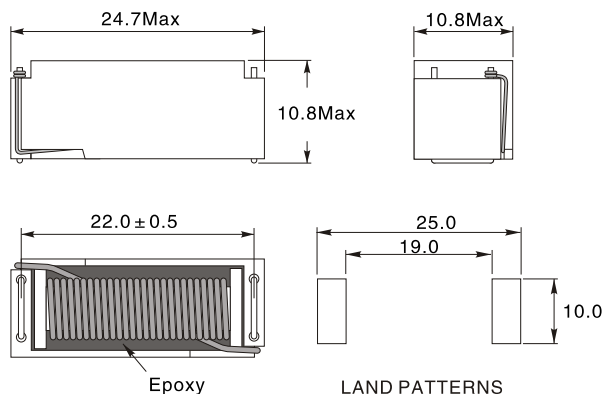
- Excellent power line noise filters
- Filters for switching regulated power supplies, DC/DC converters
- SCR and triac controls
- RFI suppression

ELECTRICAL CHARACTERISTICS:

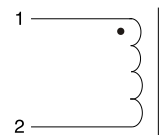
Part Number	Inductance L0(μH) @0Adc	Heat rating current DC Amps Irms(A)	Saturation current DC Amps Isat(A)	DCR Max. (Ω).	Part Number	Inductance L0(μH) @0Adc	Heat rating current DC Amps Irms(A)	Saturation current DC Amps Isat(A)	DCR Max. (Ω).
B8020-3R9K	3.9	4.0	15.5	.007	B8020-681K	680	1.0	1.05	.548
B8020-4R7K	4.7	4.0	13.9	.008	B8020-821K	820	0.8	.97	.655
B8020-5R6K	5.6	4.0	12.6	.011	B8020-102K	1000	0.8	.87	.844
B8020-6R8K	6.8	4.0	11.6	.011	B8020-122K	1200	0.6	.79	1.04
B8020-8R2K	8.2	4.0	9.89	.013	B8020-152K	1500	0.6	.70	1.18
B8020-100K	10	4.0	8.70	.017	B8020-182K	1800	0.6	.64	1.56
B8020-120K	12	4.0	8.21	.019	B8020-222K	2200	0.5	.58	2.00
B8020-150K	15	4.0	7.34	.022	B8020-272K	2700	0.4	.53	2.06
B8020-180K	18	4.0	6.64	.023	B8020-332K	3300	0.4	.47	2.53
B8020-220K	22	4.0	6.07	.026	B8020-392K	3900	0.4	.43	2.75
B8020-270K	27	4.0	5.36	.027	B8020-472K	4700	0.4	.39	3.19
B8020-330K	33	4.0	4.82	.032	B8020-562K	5600	0.315	.359	3.92
B8020-390K	39	4.0	4.36	.033	B8020-682K	6800	0.250	.322	5.69
B8020-470K	47	4.0	3.98	.035	B8020-822K	8200	0.250	.293	6.32
B8020-560K	56	3.2	3.66	.037	B8020-103K	10000	0.250	.266	7.30
B8020-680K	68	2.5	3.31	.047	B8020-123K	12000	0.200	.241	9.21
B8020-820K	82	2.0	3.10	.060	B8020-153K	15000	0.200	.214	10.50
B8020-101K	100	1.6	2.79	.090	B8020-183K	18000	0.158	.198	14.80
B8020-121K	120	1.6	5.54	.113	B8020-223K	22000	0.125	.180	21.8
B8020-151K	150	1.6	2.22	.129	B8020-273K	27000	0.125	.162	22.7
B8020-181K	180	1.6	1.98	.150	B8020-333K	33000	0.125	.146	25.7
B8020-221K	220	1.6	1.89	.162	B8020-393K	39000	0.100	.135	31.8
B8020-271K	270	1.6	1.63	.208	B8020-473K	47000	0.100	.122	36.1
B8020-331K	330	1.6	1.51	.212	B8020-563K	56000	0.100	.112	40.9
B8020-391K	390	1.6	1.39	.281	B8020-683K	68000	0.082	.101	57.3
B8020-471K	470	1.2	1.24	.380	B8020-823K	82000	0.065	.090	79.3
B8020-561K	560	1.0	1.17	.420	B8020-104K	100000	0.065	.081	89.7

PHYSICAL CHARACTERISTICS:

DIMENSIONS(MM)



WINDING:



- Testing: (Equivalent acceptable)
Inductance: HP4284A, 1.0KHz / 0.1Vdc@25°C
RDC:QuadTech 1880 Milliohmeter
- Inductance Tolerance: ± 10%
- Isat Max:Determined when superimposed DC current is decreased 10% against its initial value
- Operating temperature: -25°C to +105°C(Including temp. rise 40°C)
- Storage Temperature: -40°C to +85°C
- Resistance to soldering heat:260°C for 10 seconds
- Solvent resistance: Conforms to MIL-STD-202E
- Marking: Inductance & Tolerance