

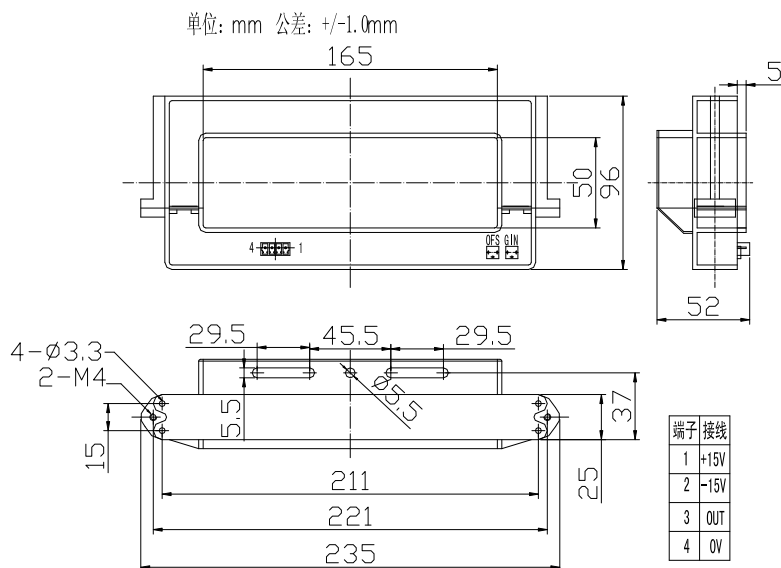
HKC5000HOP Series Hall removable current sensors

HKC5000HOP Series Hall removable current sensors are insulated between primary and secondary for measuring DC, AC and pulse currents.

Electrical parameters

	HKC2000HOP	HKC3000HOP	HKC4000HOP	HKC5000HOP	
Rated input current	2000	3000	4000	5000	A
Current range	±1600	±4000	±5000	±6000	A
Rated output voltage	±4±1%				V
supply voltage	±15 ±5%				V
Offset voltage	≤±30	≤±20			mV
Offset voltage	≤±40	≤±30			mV
Offset voltage drift	≤±1.5	≤±1.0			mV/°C
linearity	≤±1				%FS
The response time	≤10				μS
Insulation voltage (50HZ, 1min)	6				KV
Working temperature	-20~+70				°C
Storage temperature	-25~+85				°C

The structural parameters



Directions for use

1. When the current to be measured passes through the sensor, the voltage can be measured at the output end. (Note: Incorrect wiring may cause sensor damage)
2. The sensor's output amplitude can be adjusted appropriately according to the user's needs
3. Sensors with different rated input current and output voltage can be customized according to user requirements