

HIGH CURRENT SURFACE-MOUNT WIRE-WOUND INDUCTORS

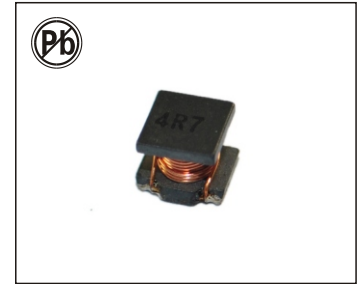
LQH1210 SERIES

FEATURES:

- Ferrite Core
- High Frequency Design
- Lower DCR permits High Idc
- Excellent Q SRF Values
- Lead free versions
- RoHS compliant
- Excellent Thermal Stability

APPLICATIONS:

- Modems PDP. LCD TVs convertor
- Mobile Radios DC/DC convertor
- Cordless Telephones Car radios
- Global Positioning Systems
- Wireless Communications Equipment
- Networking System,xDSL Filter
- Computer Products and Peripherals



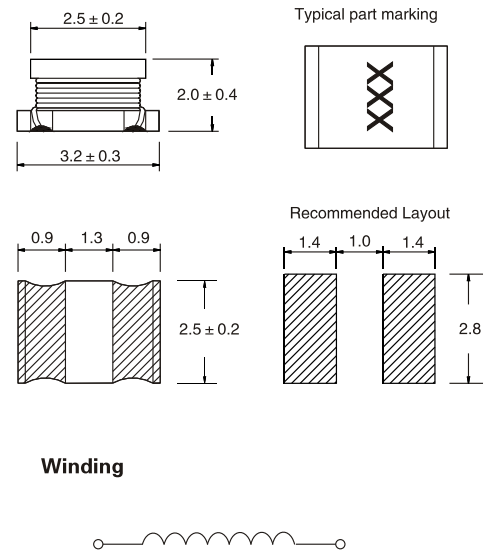
STANDARD SPECIFICATION:

Part Number	L (μH)	L Test Freq (KHz)	Q (Min)	Q Test Freq (MHz)	SRF (MHz)	DCR (Ω Max)	IDC (mA Max)
LQH1210-R10M	0.1	1	10	25.2	200	0.25	700
LQH1210-R18M	0.18	1	10	25.2	200	0.25	650
LQH1210-R27M	0.27	1	10	25.2	200	0.25	600
LQH1210-R39M	0.39	1	10	25.2	200	0.25	530
LQH1210-R56M	0.56	1	10	25.2	160	0.25	530
LQH1210-R68M	0.68	1	10	25.2	160	0.25	470
LQH1210-R82M	0.82	1	10	25.21	120	0.25	450
LQH1210-1R0M	1.0	1	10	1	100	0.5	445
LQH1210-1R2M	1.2	1	10	1	100	0.6	425
LQH1210-1R5M	1.5	1	10	1	75	0.6	400
LQH1210-1R8M	1.8	1	10	1	60	0.7	390
LQH1210-2R2M	2.2	1	10	1	50	0.8	370
LQH1210-2R7M	2.7	1	10	1	43	0.9	320
LQH1210-3R3M	3.3	1	10	1	38	1.0	300
LQH1210-3R9M	3.9	1	10	1	35	1.1	290
LQH1210-4R7K	4.7	1	20	1	31	1.2	270
LQH1210-5R6K	5.6	1	20	1	28	1.3	250
LQH1210-6R8K	6.8	1	20	1	25	1.5	240
LQH1210-8R2K	8.2	1	20	1	23	1.6	225
LQH1210-100K	10	1	25	1	20	1.8	190
LQH1210-120K	12	1	25	1	18	2.0	180
LQH1210-150K	15	1	25	1	16	2.2	170
LQH1210-180K	18	1	25	1	15	2.5	165
LQH1210-220K	22	1	25	1	14	2.8	150
LQH1210-270K	27	1	25	1	13	3.1	125
LQH1210-330K	33	1	25	1	12	3.5	115
LQH1210-390K	39	1	25	1	11	3.9	110
LQH1210-470K	47	1	25	1	11	4.3	100
LQH1210-560K	56	1	25	1	10	4.9	85
LQH1210-680K	68	1	25	1	9.0	5.5	80
LQH1210-820K	82	1	25	1	8.5	6.2	70
LQH1210-101K	100	1	30	0.796	8.0	7.0	80
LQH1210-121K	120	1	30	0.796	7.5	8.0	75
LQH1210-151K	150	1	30	0.796	7.0	9.3	70
LQH1210-181K	180	1	30	0.796	6.0	10.2	65
LQH1210-221K	220	1	30	0.796	5.5	11.8	65
LQH1210-271K	270	1	30	0.796	5.0	12.5	65
LQH1210-331K	330	1	30	0.796	5.0	13.0	65
LQH1210-391K	390	1	30	0.796	5.0	22.0	50
LQH1210-471K	470	0.001	30	0.796	5.0	25.0	45
LQH1210-561K	560	0.001	30	0.796	5.0	28.0	40

Note: 1. K= ± 10%,M= ± 20%

Note: All specifications subject to change without notice.

PHYSICAL CHARACTERISTICS



TECHNICAL INFORMATION:

- Inductance Testing: HP4291A,HP16193A,HP4286A or equivalent
- RDC:QuadTech 1880 Milliohm meter
- Q- HP4342A
- SRF-HP4191A
- Rated Current L value drop 10% typ. at IDC against its initial value
- Temperature rise 40°C Max Reference ambient temperature
- Solderability: 75% of the terminal electrode shall be covered
- Soldering Methods: Wave,Reflow
- Operating Temperature:-25°C to +85°C
- Storage Temperature: -55°C to +125°C